

25000/25000 3-Way Lo-T Butterfly Control Valve

SPECIFICATIONS

- VALVE BODIES:** Two (2) valve bodies assembled to a fabricated pipe tee with Blue-Gard non-asbestos gaskets.
- BODY RATING:** ANSI Class 150RF & 300RF
- SEAT LEAKAGE:** Less than ANSI/FCI 70-2 Class II
- MATERIALS OF CONSTRUCTION:** Carbon Steel or 316 Stainless Steel (See 25000 Lo-T Bulletin)
- CONNECTING LINKAGE:** SST Hex Rod with high tensile aircraft ball joints.
- CONFIGURATION:** Specify tandem/in-line or offset/angle arrangement (see reverse side)
- AIR FAILURE ACTION:** Specify actuated valve Fail open or fail closed.
- NOTE:** Follower valve fails opposite master valve.



MAX FLOW CAPACITY (Cv):

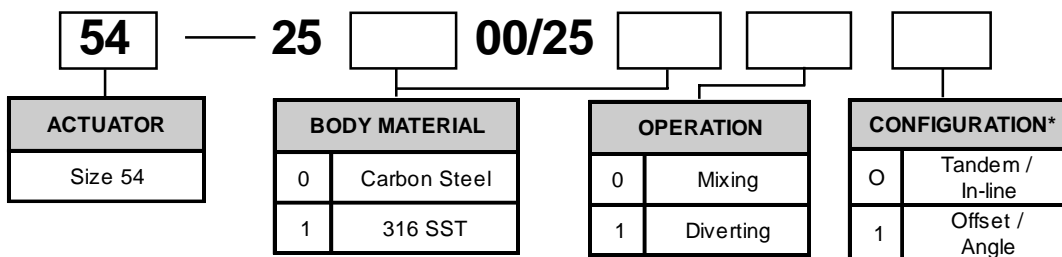
SIZE	Cv	F _L	F _d (full open)
2	85	.7	.3
3	176	.7	.25
4	363	.7	.24
6	825	.7	.22
8	1595	.7	.18

F_L = Pressure Recovery Factor
 F_d = Valve Style Modifier

POSITIONER TYPE:

MODEL	TYPE
3660	Pneumatic
3661	Electropneumatic
DVC5030/ 6030	Fieldvue Digital Valve Controller

MODEL NUMBERING SYSTEM



NOTE: Specify actuated valve to fail open or closed.

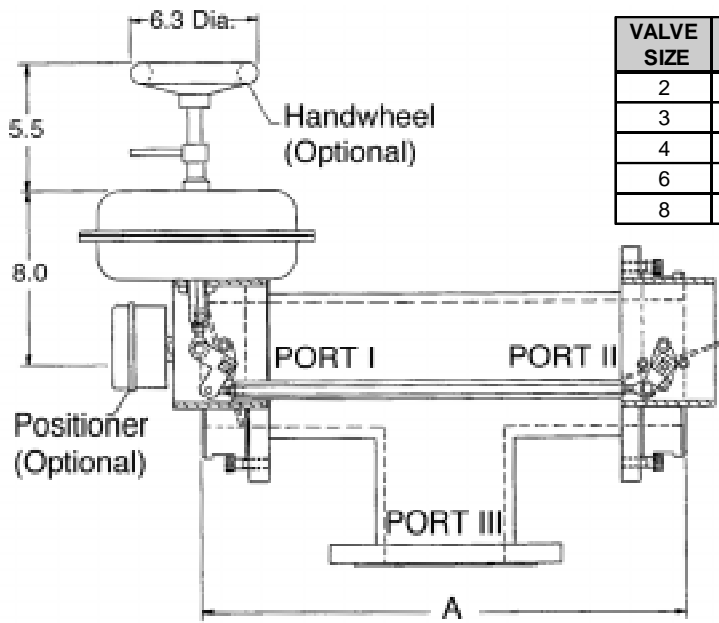
*See Back Page

ALLOWABLE PRESSURE DROPS (PSI)

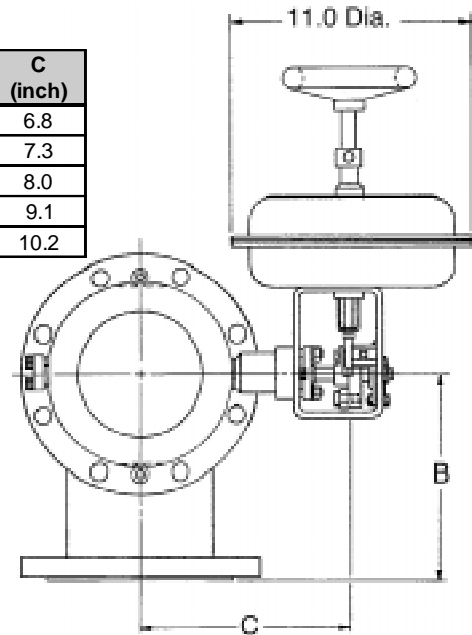
VALVE SIZE (in)	ACTUATOR SIZE	AIR SUPPLY (psi)	SPRING RANGE (psi)	PERCENT OF MAXIMUM Cv (Percent Valve Travel)					
				CLOSED (0)	20 (41)	40 (57)	60 (69)	80 (86)	100 (100)
2	54	20	4-15	360	250	175	150	135	135
3	54	20	4-15	360	160	120	100	85	85
4	54	20	4-15	250	75	50	40	35	35
6	54	30	6-22	100	35	25	20	18	18
8	54	45	8-35	85	18	15	13	13	13



TANDEM/IN-LINE CONFIGURATION



VALVE SIZE	A (inch)	B (inch)	C (inch)
2	13.6	5.2	6.8
3	15.9	6.3	7.3
4	17.9	7.3	8.0
6	22.8	9.3	9.1
8	27.5	11.2	10.2

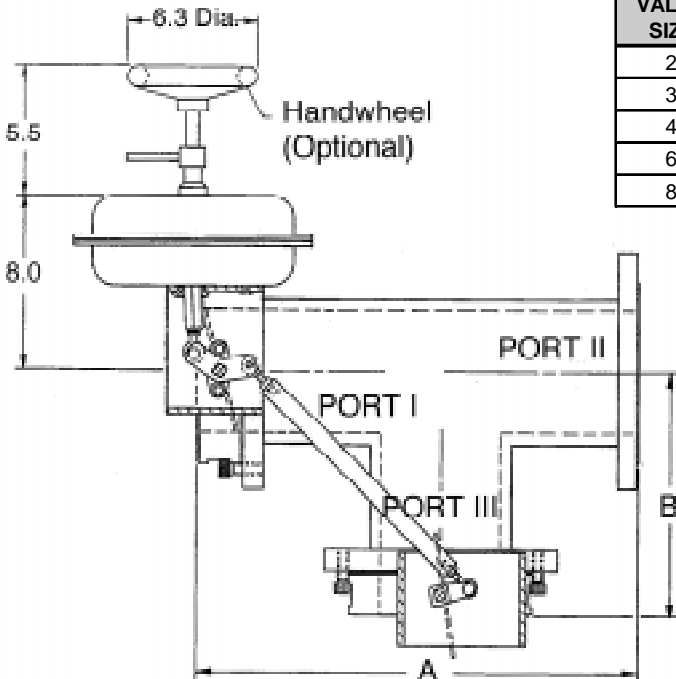


NOTE: SPECIFY PORT I AND PORT II VALVE POSITION (OPEN OR CLOSED) ON LOSS OF AIR SUPPLY TO ACTUATOR.

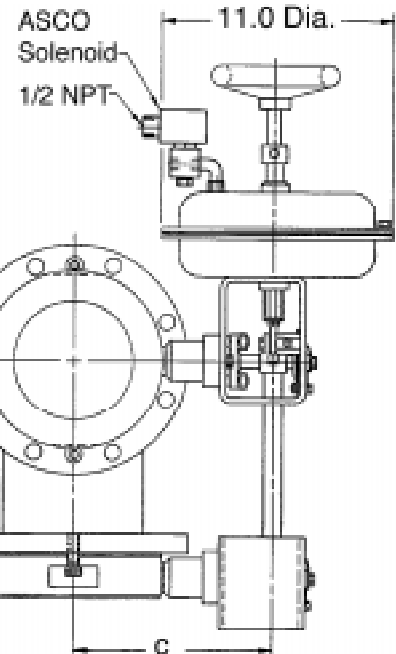
SERVICE	INLET	OUTLET
Mixing	I & II	III
Diverting	III	I & II

IMPORTANT NOTE:
Specify for Mixing or Diverting Service

OFFSET/ANGLE CONFIGURATION



VALVE SIZE	A (inch)	B (inch)	C (inch)
2	12.0	6.8	6.8
3	14.3	8.0	7.3
4	16.3	9.0	8.0
6	20.7	11.4	9.1
8	25.0	13.8	10.2



NOTE: SPECIFY PORT I AND PORT III VALVE POSITION (OPEN OR CLOSED) ON LOSS OF AIR SUPPLY TO ACTUATOR.

SERVICE	INLET	OUTLET
Mixing	I & III	II
Diverting	II	I & III

This product may be covered under one or more of the following patents 4,469,305 or under pending patent applications.

The Emerson logo is a trademark and service mark of Emerson Electric Co.

The contents of this publication are presented for informational purposes only, and while every effort has been made to ensure their accuracy, they are not to be construed as warranties or guarantees, express or implied, regarding the products or services described herein or their use or applicability. We reserve the right to modify or improve the designs or specifications of such products at any time without notice.

Baumann Inc.
35 Mirona Road
Portsmouth, NH 03801
T 1(603) 436-2044
F 1(603) 436-4901

BAUMANN INC.

Subsidiary of Fisher Controls International, Inc.