



**TYPE K**  
DAMPER DRIVES  
CONTROLS INTERNATIONAL, INC.™

# *Retrofit Damper Drive Technology*

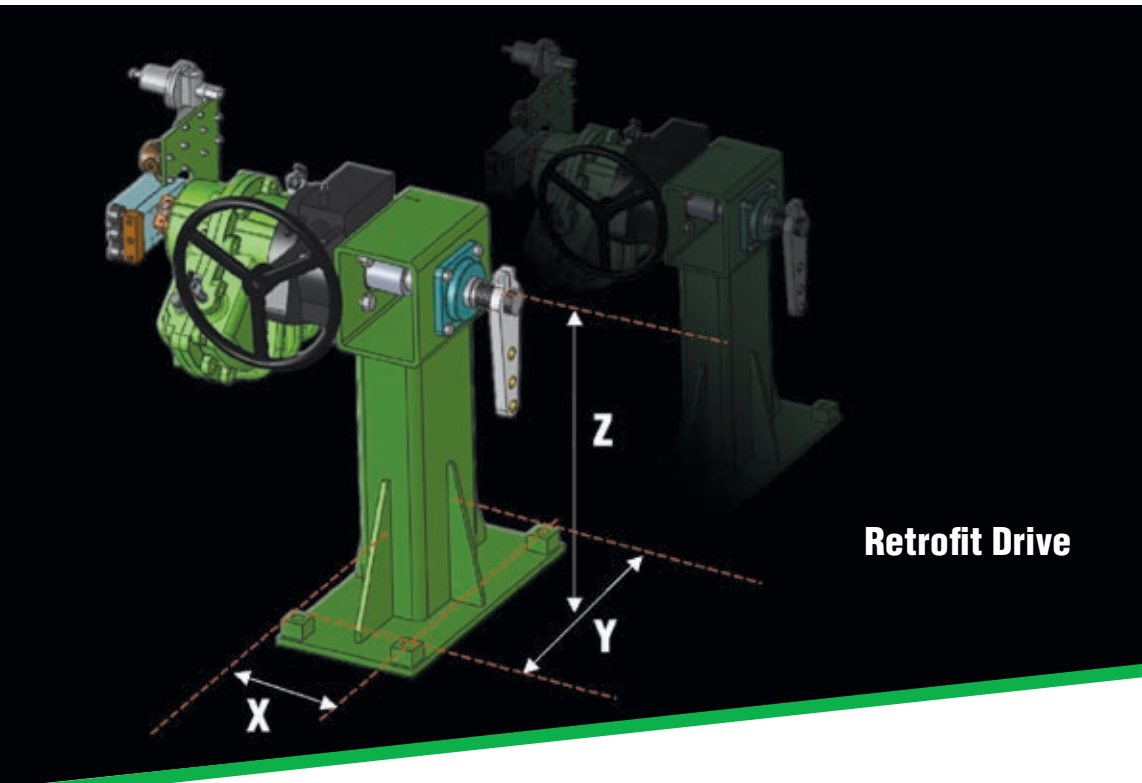
Electric Utility  
Power Generating Boilers  
Process Heaters  
Package Boilers  
Furnaces



**ROTARY + LINEAR DAMPER DRIVES**



**TYPE K**  
DAMPER DRIVES  
CONTROLS INTERNATIONAL, INC.™



What exactly does **Drop-In-Place Retrofit** really mean, and what's the benefit to the user?

At TYPE K, the DROP-IN-PLACE solution precisely fits into the application with no field modifications.

**With a TYPE K retrofit drive:**

- The drive shaft and drive lever are in the exact same place relative to the floor mounting bolt holes.
- Our base and mounting holes will match the existing drive.
- Our lever will be dimensionally identical to the existing lever and will rotate through the same arc.
- No costly field design & fabrication.

**Proven track record**

Since 1990, TYPE K has been designing, manufacturing, and installing rotary and linear replacement damper drives for utility power plants, refineries, and other industries requiring precise gas and fluid handling solutions. Our retrofit drives have proven to increase operating efficiency, reduce maintenance and downtime, while helping lower harmful emissions. Outstanding operating plant references are available on request.

**Simple, Easy Installation**

Our unique Drop-In-Place retrofit concept is focused on providing the end-user with a high-performance drive that can be installed without any field engineering or modification using basic hand tools in a few hours. Existing connecting rods and linkages are reused without modification. Our retrofit drives fit directly on the existing mounting pad using existing hardware.

**Improved Damper Operation**

Because of our higher operating pressures we can frequently offer more operating torque (within the existing footprint) to compensate for poorly performing older dampers.

**High Torque / High Speed**

We offer the highest operating torques available, up to 20,800 ft. lbs., anywhere on a pneumatically operated drive with stroking speeds as low as 3 to 5 sec full scale.

**Safety & Serviceability**

Our design capabilities allow us to frequently offer new solutions permitting drives to be located in more convenient, easier and safer to service locations.

TYPE K has become the most reliable drive in the industry.



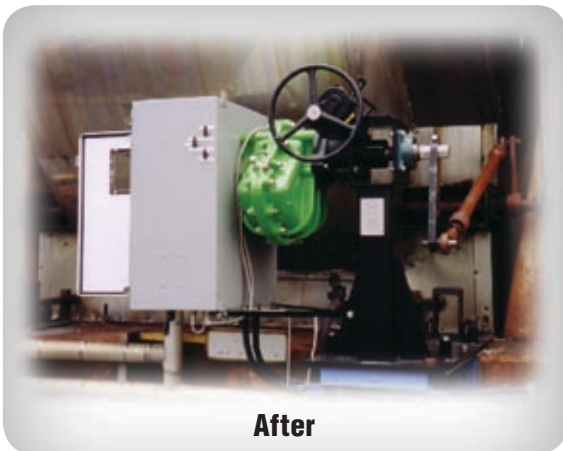
**Direct Mount Series**  
Rotary

**Pedestal Mount Series**  
Rotary



**Before**

Installation on (4) large VIV Induced Draft Fan Dampers



**After**

**State-of-the-art Controls**

TYPE K retrofit drives are available with the latest "SMART" digital positioner utilizing the current communication protocol like HART, Foundation Fieldbus™, Profibus™ and others.

**Harsh Environments/High Temperatures**

Our NEMA 4X / IP65 rated drives are designed to continuously operate at ambient temperature.

**Infinite Duty Cycle**

TYPE K Drives can be continuously modulated 24 x 7 x 365 without fear of overheating or causing damage to internal parts.

**Unmatched Accuracy**

TYPE K Drives with S-800 "SMART" positioner provide +/- 0.25% accuracy with reliable and immediate response time.

**Best Warranty Available**

All TYPE K Drives include an exclusive 3 year warranty from date of shipment.



**TYPE K**  
DAMPER DRIVES  
CONTROLS INTERNATIONAL, INC.

[www.typek.com](http://www.typek.com)

**ROTARY + LINEAR DAMPER DRIVES**



**PM Series**  
Rotary

**Pedestal Mount**

- Direct “Drop-In” design matches existing drive
- Re-use existing link rod and clevis’
- Highly accurate & responsive
- Simple maintenance-free operation



**DM Series**  
Rotary

**Direct Mount**

- Mounts directly to boiler wall of damper frame
- “No Play” connection to damper shaft
- Highly accurate & responsive
- Simple maintenance-free operation



**LX Series**  
Linear

**LX Linear Drive**

- The ultimate rod gland cleaning system
- 1.5” to 24” bore/any practical stroke
- Exact retrofit to match existing drive
- O/C or modulating service



**VA Series**  
Rotary

**Valve Automation**

- Automate butterfly, ball and plug valves
- Simple one-moving part design
- Retrofit linkage available with drive
- Complete range of O/C & modulating controls



**JR Series**  
Linear

**JR Linear Drive**

- Wall-Fired boiler secondary air control
- Precise ‘Drop-In’ replacement for electric drives
- Precise modulating control
- Remote-mount digital controller



**AH Series**  
Rotary

**Ash Hopper**

- High-Cycle Ash Hopper solution
- Replace unreliable diaphragm drums or pistons
- Totally-enclosed, maintenance-free design
- Rated for 300°F



**CT Series**  
Linear

**CT Series**

- T-Fired boiler secondary air control
- Trunnion-mount pivot style design
- For high-temperature and harsh environments
- Precise modulating control



**Controls & Accessories**

**Controls**

- S-800 digital “Smart” & C-400 conventional positioners
- DPC-777 remote mount digital positioners

**Accessories**

- Windbox bearing upgrade, air filters
- 950 Series loading station, connecting rod linkage

**Your Representative is:**

**TYPE K Damper Drives**

Div. Controls International, Inc.

10410 Vista Park Road  
Dallas, Texas 75238  
Main: (214) 343-9980  
Fax: (214) 343-2658

[www.typek.com](http://www.typek.com)



Our drives are proudly made in Dallas Texas, USA