

FIELDVUE® DLC3000 Series Digital Level Controllers

FIELDVUE® DLC3000 Series digital level controllers (figure 1) are used with level sensors to measure liquid level, the level of the interface between two liquids, or liquid specific gravity (density). Changes in level or specific gravity exert a buoyant force on a displacer, which rotates a torque tube shaft. The digital level controller converts this rotational motion to an electronic signal.

DLC3000 Series digital level controllers are communicating, microprocessor-based instruments that can be configured to sense the level, interface level, or density of liquids. In addition to the normal function of providing a 4 to 20 milliampere current signal, DLC3000 Series digital level controllers, using the HART® communications protocol, give easy access to information critical to process operation. You can obtain information about the process, instrument, or sensor using the Model 375 Field Communicator. Advanced user-interface capabilities are enabled by AMS™ Suite: Intelligent Device Manager. The DLC3000 Series can be used in analog or HART digital signaling mode with the Emerson Process Management DeltaV™ system.

The connection for HART communication may be made at any point in the field wiring that meets the HART impedance requirements. Configuration, calibration, diagnostics, parameter review, signal monitoring and alert monitoring are all available through the HART protocol. Information from the field can be integrated into control systems or be received on a single loop basis.

DLC3000 Series digital level controllers are designed to directly replace standard pneumatic and electronic level transmitters. Type DLC3010 digital level controllers mount on a wide variety of Fisher® 249 Series cageless and caged level sensors.

Note

Neither Emerson, Emerson Process Management, nor any of their affiliated entities assumes responsibility for the selection, use, and maintenance of any product. Responsibility for the selection, use, and maintenance of any product remains with the purchaser and end-user.



W7977 / IL

Figure 1. FIELDVUE® DLC3000 Series Digital Level Controller



DLC3000 Series Digital Level Controller Specifications

Available Configurations

Type DLC3010 Digital Level Controller:

Mounts on Fisher 249 Series caged and cageless sensors. See tables 4 and 5 and sensor description.

Function: Transmitter

Communications Protocol: HART

Input Signal⁽¹⁾

Level, Interface, or Density: Rotary motion of torque tube shaft proportional to changes in liquid level, interface level, or density that change the buoyancy of a displacer.

Process Temperature: Interface for 2- or 3-wire 100 ohm platinum RTD for sensing process temperature, or optional user-entered target temperature to permit compensating for changes in specific gravity

Output Signal⁽¹⁾

Analog: 4 to 20 milliamperes dc (■ direct action—increasing level, interface, or density increases output; or ■ reverse action—increasing level, interface, or density decreases output)

High saturation: 20.5 mA

Low saturation: 3.8 mA

High alarm: 22.5 mA

Low Alarm: 3.7 mA

Only one of the above high/low alarm definitions is available in a given configuration. NAMUR NE 43 compliant when high alarm level is selected.

Digital: HART 1200 Baud FSK (frequency shift keyed)

HART impedance requirements must be met to enable communication. Total shunt impedance across the master device connections (excluding the master and transmitter impedance) must be between 230 and 1100 ohms. The transmitter HART receive impedance is defined as:

Rx: 42K ohms and

Cx: 14 nF

Note that in point-to-point configuration, analog and digital signalling are available. The instrument may be queried digitally for information, or placed in Burst mode to regularly transmit unsolicited process information digitally. In multi-drop mode, the output current is fixed at 4 mA, and only digital communication is available.

Performance

PERFORMANCE CRITERIA	DLC3000 Digital Level Controller ⁽¹⁾	w/ 3-Inch 249W, Using a 14-inch Displacer	w/ All Other 249 Series
Independent Linearity	± 0.25% of output span	± 0.8% of output span	± 0.5% of output span
Hysteresis	<0.2% of output span	---	---
Repeatability	± 0.1% of full scale output	± 0.5% of output span	± 0.3% of output span
Dead Band	<0.05% of input span	---	---
Hysteresis plus Deadband	---	<1.0% of output span	<1.0% of output span

NOTE: At full design span, reference conditions.
1. To lever assembly rotation inputs.

At effective proportional band (PB)<100%, linearity, dead band, and repeatability are derated by the factor (100%/PB)

Operating Influences

Power Supply Effect: Output changes <±0.2% of full scale when supply varies between min. and max voltage specifications.

Transient Voltage Protection: The loop terminals are protected by a transient voltage suppressor. The specifications are as follows:

Pulse Waveform		Max V _{CL} (Clamping Voltage) (V)	Max I _{pp} (Pulse Peak @ Current) (A)
Rise Time (μs)	Decay to 50% (μs)		
10	1000	93.6	16
8	20	121	83

Note: μs = microsecond

Ambient Temperature: The combined temperature effect on zero and span without the 249 sensor is less than 0.03% of full scale per degree Kelvin over the operating range -40 to 80°C (-40 to 176°F)

Process Temperature: The torque rate is affected by the process temperature (see figure 3). The process density may also be affected by the process temperature.

Process Density: The sensitivity to error in knowledge of process density is proportional to the differential density of the calibration. If the differential specific gravity is 0.2, an error of 0.02 specific gravity units in knowledge of a process fluid density represents 10% of span.

-continued-

Specifications (continued)

Electromagnetic Interference (EMI): Tested per IEC 61326-1 (Edition 1.1). Complies with European EMC Directive. Meets emission limits for class A equipment (industrial locations) and class B equipment (domestic locations). Meets immunity requirements for industrial locations (Table A.1 in the IEC specification document). Immunity performance is shown in table 1.

Supply Requirements (See figure 5)

12 to 30 volts dc; instrument has reverse polarity protection.

A minimum compliance voltage of 17.75 is required to guarantee HART communication.

Compensation

Transducer compensation: for ambient temperature.

Density parameter compensation: for process temperature (requires user-supplied tables).

Manual compensation: for torque tube rate at target process temperature is possible.

Digital Monitors

Linked to jumper-selected Hi (factory default) or Lo analog alarm signal:

Torque tube position transducer: Drive monitor and signal reasonableness monitor

User-configurable alarms: Hi-Hi and Lo-Lo Limit process alarms

HART-readable only:

RTD signal reasonableness monitor: When RTD installed

Processor free-time monitor.

Writes-remaining in Non Volatile Memory monitor.

User-configurable alarms: Hi and Lo limit process alarms, Hi and Lo limit process temperature alarms, and Hi and Lo limit electronics temperature alarms

Diagnostics

Output loop current diagnostic.

LCD meter diagnostic.

Spot specific gravity measurement in level mode: used to update specific gravity parameter to improve process measurement

Digital signal-tracing capability: by review of

“troubleshooting variables”, and *Basic trending capability for PV, TV and SV.*

LCD Meter Indications

LCD meter indicates analog output on a percent scale bar graph. The meter also can be configured to display:

Process variable in engineering units only.

Percent range only.

Percent range alternating with process variable or Process variable, alternating with process temperature (and degrees of pilot shaft rotation).

Electrical Classification

Hazardous Area:



Explosion proof, Intrinsic Safety, Dust-Ignition proof



Explosion proof, Non-incendive, Dust-Ignition proof, Intrinsic Safety

ATEX Intrinsic Safety, Type n, Flameproof

IECEx Intrinsic Safety, Type n

SAA Flameproof

Refer to tables 8, 9, 10, 11, and 12 for additional approval information.

Electrical Housing: NEMA 4X, CSA Enclosure, and IP66

Minimum Differential Specific Gravity

With a nominal 4.4 degrees torque tube shaft rotation for a 0 to 100 percent change in liquid level (specific gravity=1), the digital level controller can be adjusted to provide full output for an input range of 5% of nominal input span. This equates to a minimum differential specific gravity of 0.05 with standard volume displacers.

See 249 Series sensor specifications for standard displacer volumes and standard wall torque tubes. Standard volume for 249C and 249CP series is ~980 cm³ (60 in³), most others have standard volume of ~1640 cm³ (100 in³).

Operating at 5% proportional band will degrade accuracy by a factor of 20. Using a thin wall torque tube, or doubling the displacer volume will each roughly double the effective proportional band. When proportional band of the system drops below 50%, changing displacer or torque tube should be considered if high accuracy is a requirement.

Specifications (continued)

Mounting Positions

Digital level controllers can be mounted right- or left-of-displacer, as shown in figure 9.

Instrument orientation is normally with the coupling access door at the bottom, to provide proper drainage of lever chamber and terminal compartment, and to limit gravitational effect on the lever assembly. If alternate drainage is provided by user, and a small performance loss is acceptable, the instrument could be mounted in 90 degree rotational increments around the pilot shaft axis. The LCD meter may be rotated in 90 degree increments to accommodate this.

Construction Materials

DLC3000 Series Digital Level Controller:
Case and Cover: Low-copper aluminum alloy
Internal: Plated steel, aluminum, and stainless steel; encapsulated printed wiring boards; Neodymium Iron Boron Magnets

Electrical Connections

Two 1/2-14 NPT female conduit connections; one on bottom and one on back of terminal box. M20 adapters available.

Options

■ Heat insulator. See description under Ordering Information. ■ Mountings for Masoneilan®,

Yamatake and Foxboro®/Eckhardt displacers available. ■ Level Signature Series Test (Performance Validation Report) available (EMA only) for instruments factory-mounted on 249 sensor. ■ Factory Calibration: available for instruments factory-mounted on 249 sensor, when application, process temperature and density(s) are supplied. ■ Device is compatible with user-specified remote indicator.

Operating Limits

Process Temperature: See table 3 and figure 6.
Ambient Temperature and Humidity: See below

Conditions	Normal Limits ^(1,2,3)	Transport and Storage Limits ⁽¹⁾	Nominal Reference ⁽¹⁾
Ambient Temperature	-40 to 80°C (-40 to 176°F)	-40 to 85°C (-40 to 185°F)	25°C (77°F)
Ambient Relative Humidity	0 to 95%, (non-condensing)	0 to 95%, (non-condensing)	40%

Weight

Less than 2.7 Kg (6 lbs)

1. Defined in ISA Standard S51.1

2. LCD meter may not be readable below -20°C (-4°F)

3. Contact your Emerson Process Management™ sales office or application engineer if temperatures exceeding these limits are required.

Table 1. Immunity Performance

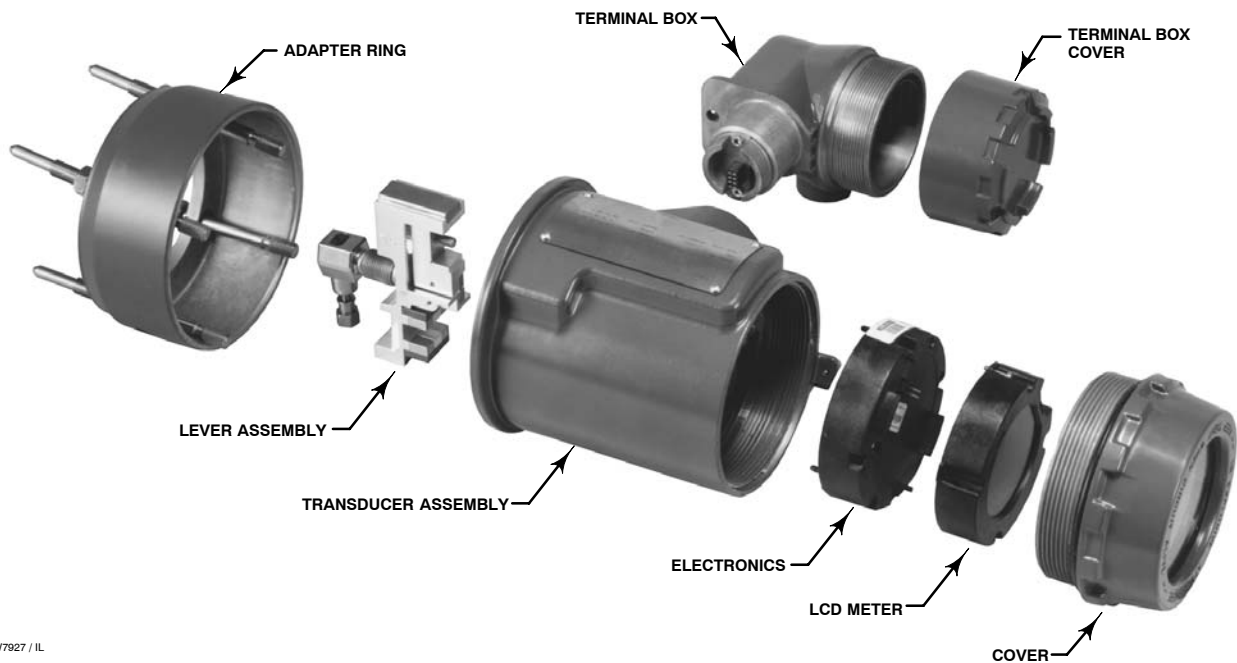
Port	Phenomenon	Basic Standard	Performance Criteria ⁽¹⁾
Enclosure	Electrostatic discharge (ESD)	IEC 61000-4-2	B
	EM field	IEC 61000-4-3	A
	Rated power frequency magnetic field	IEC 61000-4-8	A
I/O signal/control	Burst	IEC 61000-4-4	B
	Surge	IEC 61000-4-5	B
	Conducted RF	IEC 61000-4-6	A

Note: RTD wiring must be shorter than 3 meters (9.8 feet).
 1. A = No degradation during testing. B = Temporary degradation during testing, but is self-recovering. Specification Limit = +/- 1% of span.

Features

- **Simplified Setup and Calibration**—For quick analog transmitter replacement (4–20mA out only), the instrument may be configured with default sensor data, zero Level Offset, differential process SG, and zero/span procedure only. For full compensation and diagnostic capabilities, complete sensor data entry and calibration is recommended.

Through the use of an electronic Setup Wizard, digital level controller start-up is straightforward and fast. Level and temperature alarms, specific gravity tables, calibration trim and trending are readily configurable. DLC3000 Series digital level controllers also support re-ranging without a fluid reference.



W7927 / IL

Figure 2. DLC3000 Series Digital Level Controller Assembly

- **Responsive to Small Process Changes**

Accurate, high-gain analog-to-digital conversion enables measurement of small changes in the process variable. This allows DLC3000 Series digital level controllers to be used in difficult liquid level, interface, or density applications. In addition, an adjustable input filter and output damping help to attenuate displacer-induced ripple in the output signal due to liquid turbulence.

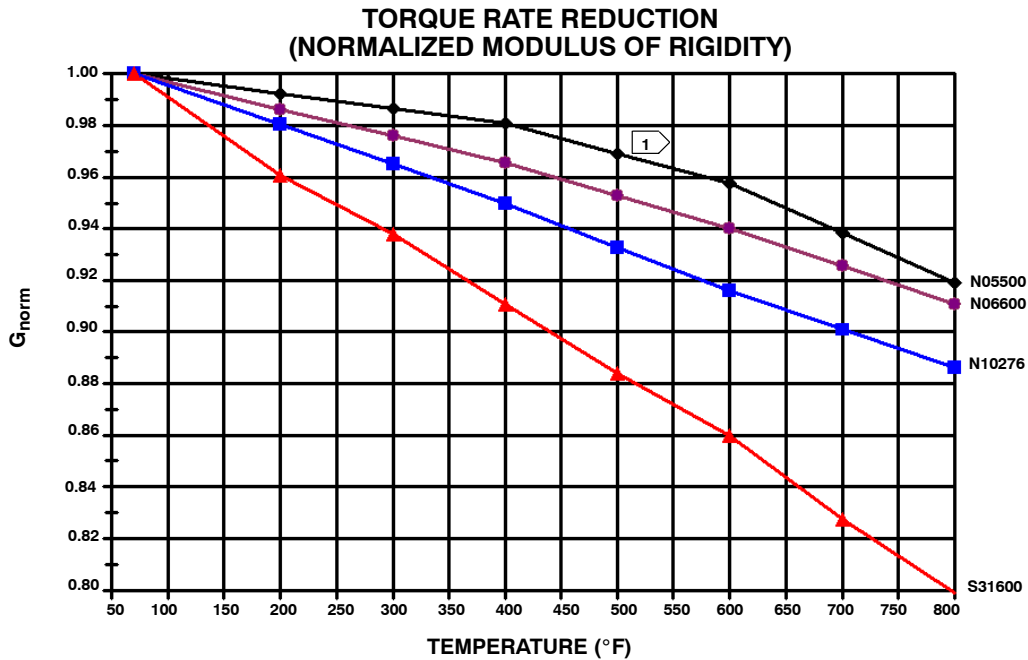
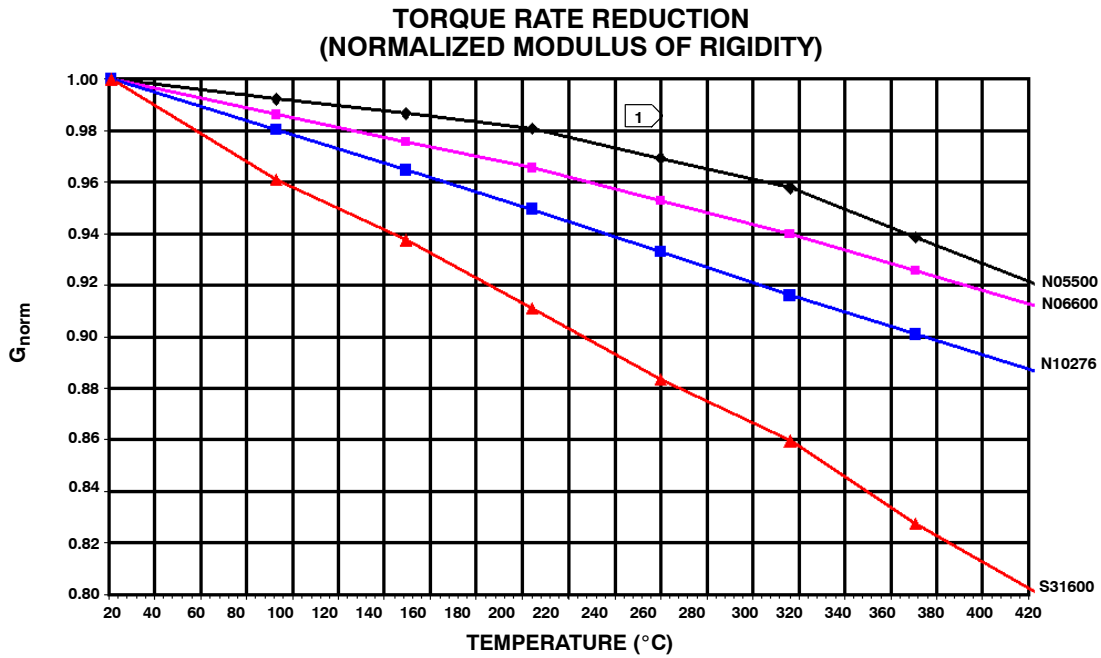
- **Reduced Temperature Effects**

An internal temperature sensor enables consistent performance of the digital level controller despite ambient temperature changes. With a temperature input signal, either via HART protocol or an RTD connected to the instrument, the digital level controller can also automatically compensate for specific gravity changes due to temperature. A user-supplied table of up to ten linear segments may be entered to implement this feature. (An sample water/steam table is provided in the FIELDVUE DLC3000 Series Digital Level Controls instruction manual, Form 5631). The measured torque tube rate may be manually pre-compensated for a target process temperature using the data available in the DLC3000 Device Description (DD).

- **Additional Compensation**—The instrument measurement algorithm corrects for the small motion of the displacer as buoyancy changes, allowing it to calculate the true cage or vessel level. This provides additional accuracy on the shorter displacers.

- **Rugged Construction**—Mechanical safeguards designed into the digital level controller help it to withstand physical abuse often incurred during installation or in transport, without compromising performance. The fully encapsulated printed wiring boards resist the effects of vibration, temperature, and corrosive atmospheres. The lever assembly is pinned at the neutral position when the coupling access door is open, providing shipping stabilization for a separate transmitter purchase. Locking set screws are provided for covers and the access door handle.

- **Easy Maintenance**—Field wiring connections are in a compartment separated from the electronics. This protects the electronics from any moisture brought into the housing by the field wiring. This also eases installation and maintenance. The digital level controller does not have to be removed to facilitate troubleshooting or service. Modular construction (figure 2) allows servicing in the field. However, if it is necessary to remove the digital level controller for in-shop maintenance and calibration, field wiring does not need to be disconnected.



NOTE:
 1 DUE TO THE PERMANENT DRIFT THAT OCCURS NEAR AND ABOVE 260°C (500°F), N05500 IS NOT RECOMMENDED FOR TEMPERATURES ABOVE 232°C (450°F).

Figure 3. Theoretical Reversible Temperature Effect on Common Torque Tube Materials

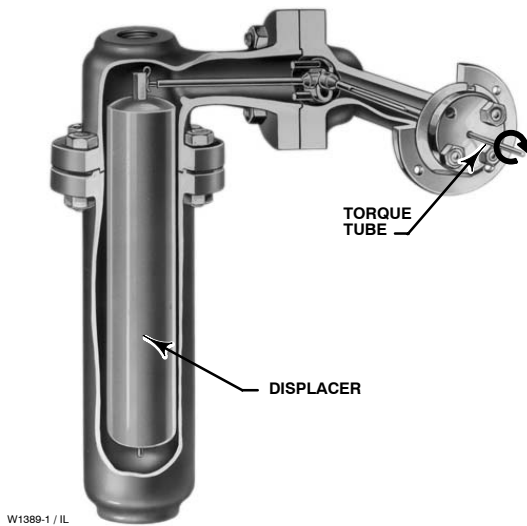


Figure 4. Cutaway View of Type 249 Displacer Sensor

- Alarm Jumper**—DLC3000 Series digital level controllers include self-diagnostics that detect an error (e.g. electronics failure) that would render the process variable measurement inaccurate. The instrument can also be configured to indicate a process variable high or low alarm. When a process variable alarm or an error is detected the analog output signal is driven either above or below the normal 4 to 20 mA range, depending on the user-selectable position of the alarm jumper. The unit ships from the factory with the jumper in the high position.

Principle of Operation

The DLC3000 Series digital level controllers are loop-powered instruments that measure changes in liquid level, level of an interface between two liquids, or density of a liquid. A level, density, or interface level change in the measured fluid causes a change in the displacer buoyancy (figure 4). This change is transferred to the torque tube assembly. As the measured fluid changes, the torque tube assembly rotates.

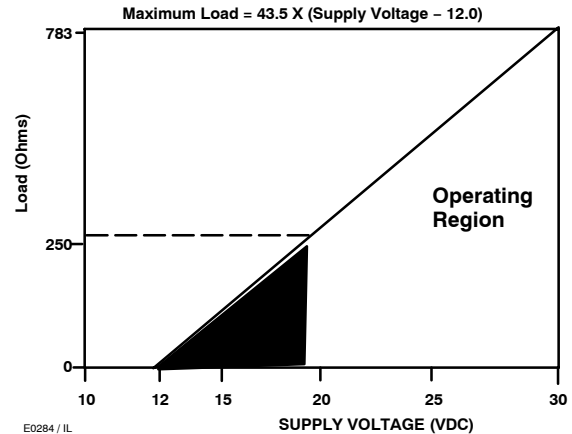
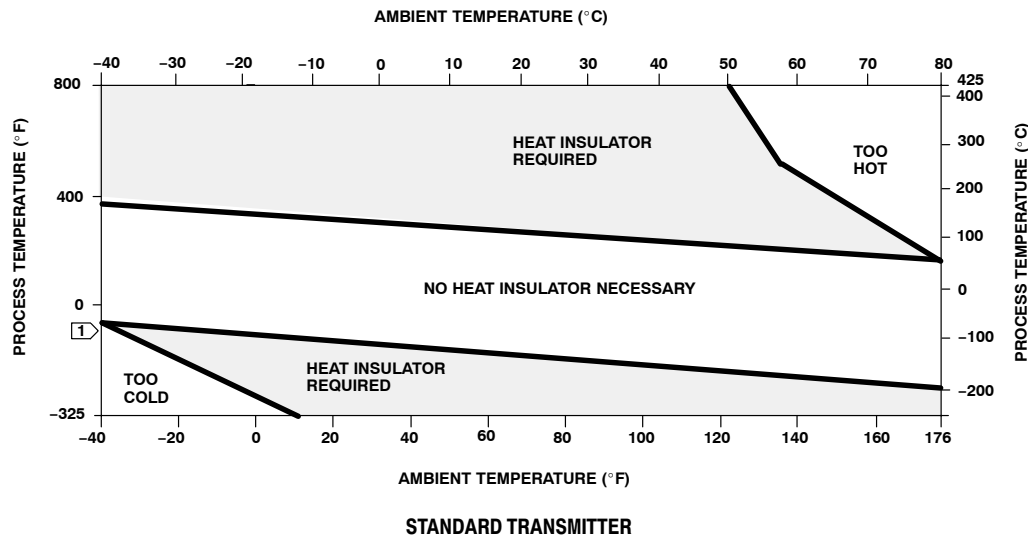


Figure 5. Power Supply Requirements and Load Resistance

The rotary motion of the torque tube is transferred to the digital level controller lever assembly. The rotary motion moves a magnet attached to the lever assembly, changing the magnetic field that is sensed by the Hall-effect sensor. The sensor converts the magnetic field signal to a varying electronic signal, which is processed digitally to provide linearity corrections, sensitivity adjustment, and temperature compensation.

The signal is interpreted as a buoyancy change by reference to the stored torque rate, coupling point, and moment arm data. The buoyancy change in turn is interpreted as a level, interface, or density change by reference to stored displacer volume, specific gravity, and displacer length data. In level or interface modes, the correction for displacer motion is then added, as well as user-supplied offset to change the PV reference from the bottom of the displacer or correct for a coupling point error.

The resultant primary variable (PV) is then compared to PV alarm thresholds (if enabled) and used to set status bits and/or trigger the analog alarm current. If the alarm is not triggered, the PV is used to generate 4–20 mA analog and 0–100% range digital signals by reference to the stored upper and lower range values. The resultant analog command is limited at the saturation values to allow discrimination between saturated and alarm signals.



NOTES:

1. FOR PROCESS TEMPERATURES BELOW -29° (C-20°F) AND ABOVE 204°C (400°F) SENSOR MATERIALS MUST BE APPROPRIATE FOR THE PROCESS – SEE TABLE 3.
2. IF AMBIENT DEW POINT IS ABOVE PROCESS TEMPERATURE, ICE FORMATION MIGHT CAUSE INSTRUMENT MALFUNCTION AND REDUCE INSULATOR EFFECTIVENESS.

39A4070-B
A5494-1/IL

Figure 6. Guidelines for Use of Optional heat Insulator Assembly

249 Series Level Sensors

249 Series level sensors used with Type DLC3010 digital level controllers are available in both caged and cageless configurations. Figure 7 shows a Type DLC3010 digital level controller mounted on a caged 249 sensor. Caged sensors provide more stable operation than do cageless sensors for vessels with internal obstructions or considerable internal turbulence. Cageless sensors are generally used on specific gravity and interface control applications requiring large displacers that are more easily accommodated by flange connections up to 8 inches. The availability of many different displacer stem lengths permits lowering the displacer down to the most advantageous depth in the vessel.



W7926 / IL

Figure 7. Type DLC3010 Digital Level Controller and Type 249B Level Sensor

249 Series Level Sensors Specifications

Input Signal

Liquid Level or Liquid-to-Liquid Interface

Level: From 0 to 100 percent of displacer length

Liquid Density: From 0 to 100 percent of displacement force change obtained with given displacer volume—standard volumes are ■ 980 cm³ (60 inches³) for Types 249C and 249CP sensors or ■ 1640 cm³ (100 inches³) for most other sensors; other volumes available depending upon sensor construction

Sensor Displacer Lengths

See tables 4 and 5 footnotes

Sensor Working Pressures

Consistent with applicable ASME pressure/temperature ratings for the specific sensor constructions shown in tables 4 and 5

Caged Sensor Connection Styles

Cages can be furnished in a variety of end connection styles to facilitate mounting on

vessels; the equalizing connection styles are numbered and are shown in figure 8.

Mounting Positions

Most level sensors with cage displacers have a rotatable head. The head may be rotated through 360 degrees to any of eight different positions, as shown in figure 9.

Construction Materials

See tables 2, 4, and 5

Operative Ambient Temperature

See table 3.

For ambient temperature ranges, guidelines, and use of optional heat insulator, see figure 6.

Options

■ Heat insulator, see description under Ordering Information ■ Gauge glass for pressures to 29 bar at 232°C (420 psig at 450°F), and ■ Reflex gauges for high temperature and pressure applications

Table 2. Displacer and Torque Tube Materials

PART	STANDARD MATERIAL	OTHER MATERIALS
Displacer	304 Stainless Steel	316 Stainless Steel, N10276, N04400, Plastic, and Special Alloys
Displacer Stem, Driver Bearing, Displacer Rod and Driver	316 Stainless Steel	N10276, N04400, other Austenitic Stainless Steels, and Special Alloys
Torque Tube	N05500 ⁽¹⁾	316 Stainless Steel, N06600, N10276
1. N05500 is not recommended for spring applications above 232°C (450°F). Contact your Emerson Process Management sales office or application engineer if temperatures exceeding this limit are required.		

Table 3. Allowable Process Temperatures for Common 249 Sensor Pressure Boundary Materials

MATERIAL	PROCESS TEMPERATURE	
	Min.	Max.
Cast Iron	-29°C (-20°F)	232°C (450°F)
Steel	-29°C (-20°F)	427°C (800°F)
Stainless Steel	-198°C (-325°F)	427°C (800°F)
N04400	-198°C (-325°F)	427°C (800°F)
Graphite Laminate/SST Gaskets	-198°C (-325°F)	427°C (800°F)
N04400/PTFE Gaskets	-73°C (-100°F)	204°C (400°F)

DLC3000 Digital Level Controllers

Table 4. Caged Displacer Sensors⁽¹⁾

TORQUE TUBE ORIENTATION	TYPE NUMBER	STANDARD CAGE, HEAD, AND TORQUE TUBE ARM MATERIAL	EQUALIZING CONNECTION		ANSI CLASS ⁽²⁾
			Style	Size (Inch)	
Torque tube arm rotatable with respect to equalizing connections	249 ⁽³⁾	Cast iron	Screwed	1-1/2 or 2	125 or 250
			Flanged	2	
	249B, 249BF ⁽⁴⁾	Steel	Screwed or optional socket weld	1-1/2 or 2	600
			Raised face or optional ring type joint flanged	1-1/2	150, 300, or 600
	249C ⁽³⁾	316 stainless steel	Screwed	1-1/2 or 2	600
			Raised face flanged	1-1/2	150, 300, or 600
				2	150, 300, or 600
	249K	Steel	Raised face or optional ring type joint flanged	1-1/2 or 2	900 or 1500
249L	Steel	Ring type joint flanged	2 ⁽⁵⁾	2500	

1. Standard displacer lengths for all styles (except Type 249) are 14, 32, 48, 60, 72, 84, 96, 108 and 120 inches. Type 249 uses a displacer with a length of either 14 or 32 inches.
 2. DIN flange connections available in EMA (Europe, Middle East and Africa).
 3. Not available in EMA.
 4. Type 249BF available in EMA only. Also available in DIN size DN40 with PN10 to PN100 flanges and size DN50 with PN10 to PN63 flanges.
 5. Top connection is 1-inch ring-type joint flanged for connection styles F1 and F2.

Table 5. Cageless Displacer Sensors⁽¹⁾

MOUNTING	TYPE NUMBER	STANDARD HEAD ⁽²⁾ , WAFER BODY ⁽⁶⁾ , AND TORQUE TUBE ARM MATERIAL	FLANGE CONNECTION	ANSI CLASS ⁽³⁾
Mounts on top of vessel	249BP ⁽⁴⁾	Steel	4-inch raised face or optional ring type joint	150, 300, or 600
			6-inch or 8-inch raised face	150 or 300
	249CP	316 Stainless Steel	3-inch raised face	150, 300, or 600
	249P ⁽⁵⁾	Steel or stainless steel	4-inch raised face or optional ring type joint	900 or 1500 (DIN PN10 to PN250)
			6- or 8-inch raised face	150, 300, 600, 900, 1500, or 2500
Mounts on side of vessel	249V	Cast Iron	4-inch	125 or 250
			4-inch raised face or flat face	150
		Cast Steel	4-inch raised face or optional ring type joint	300, 600, 900, or 1500 (DIN PN10 to PN160)
			4-inch ring type joint	2500
		316 Stainless Steel	4-inch raised face or flat face	150
			4-inch raised face or optional ring type joint	300, 600, or 900
Mounts on top of vessel or on customer supplied cage	249W	WCC (steel) or CF8M (316 stainless steel)	3-inch raised face	150, 300, or 600
		LCC (steel) or CF8M (316 Stainless Steel)	4-inch raised face	150, 300, or 600

1. Standard displacer lengths are 14, 32, 48, 60, 72, 84, 96, 108, and 120 inches.
 2. Not used with side-mounted sensors.
 3. DIN flange connections available in EMA (Europe, Middle East and Africa).
 4. Not available in EMA.
 5. Type 249P available in EMA only.
 6. Wafer Body only applicable to Type 249W.

Product Bulletin

11.2:DLC3000
December 2006

DLC3000 Digital Level Controllers

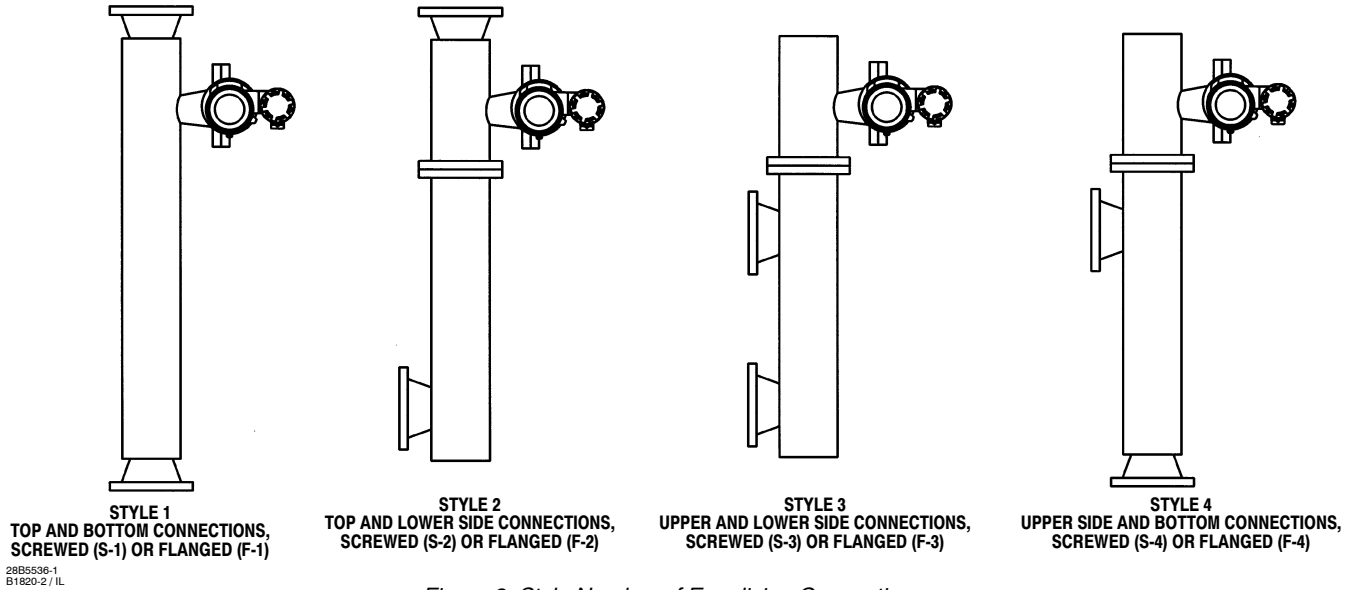


Figure 8. Style Number of Equalizing Connections

SENSOR	LEFT-OF-DISPLACER	RIGHT-OF-DISPLACER
CAGED		
CAGELESS		

1 NOT AVAILABLE FOR 2-INCH CLASS 300 AND 600 TYPE 249C.

19B2787 Rev. D
19B5630 Rev. C
B1407-2/IL

Figure 9. Typical Mounting Positions for Type DLC3010 Digital Level Controller on 249 Series Caged Sensor

DLC3000 Digital Level Controllers

Table 6. Dimension A for Type DLC3010 Digital Level Controller Mounted on a Type 249B Sensor

SIZE INCHES	A														
	Scrd NPT		Class 150 RF		Class 150 RTJ		Class 300 RF		Class 300 RTJ		Class 600 RF		Class 600 RTJ		
	mm	Inches	mm	Inches	mm	Inches	mm	Inches	mm	Inches	mm	Inches	mm	Inches	
1-1/2	121	4.75	145	5.69	152	6.00	148	5.81	154	6.06	154	6.06	159	6.25	
2	121	4.75	145	5.69	151	5.94	148	5.81	155	6.12	157	6.19	159	6.25	
DIN ⁽¹⁾															
SIZE	PN10/PN16				PN25/PN40				PN63				PN100		
	mm				mm				mm				mm		
DN40	143				145				153				153		
DN50	145				147				153				---		

1. Dimension A for 249BF with din flanges.

Table 7. Dimensions F, G, M, and W for Type DLC3010 Digital Level Controller Mounted on a Type 249B Sensor

DISPLACER LENGTH		F		G		M		W	
mm	Inches	mm	Inches	mm	Inches	mm	Inches	mm	Inches
356	14	356	14.00	197	7.75	284	11.19	394	15.50
813	32	813	32.00	425	16.75	513	20.19	851	33.50

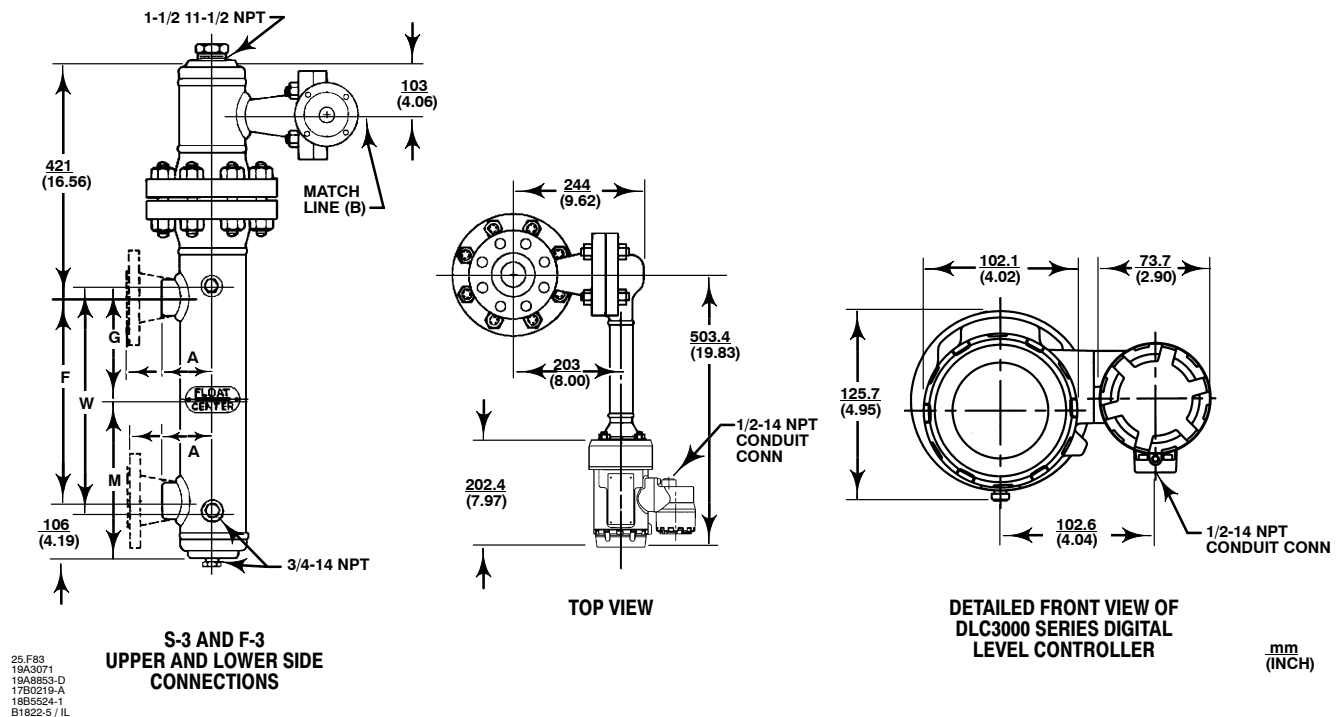


Figure 10. Dimensions for Type DLC3010 Digital Level Controller Mounted on a Type 249B Sensor (also see tables 6 and 7)

Table 8. Hazardous Area Classifications for Canada—CSA

CERTIFICATION BODY	CERTIFICATION OBTAINED	ENTITY RATING	TEMPERATURE CODE	ENCLOSURE RATING
CSA	(Intrinsic Safety) Class/Division Class I,II,III Division 1 GP A,B,C,D,E,F,G per drawing 28B5744	$V_{max} = 30 \text{ Vdc}$ $I_{max} = 226 \text{ mA}$ $C_i = 5.5 \text{ nF}$ $L_i = 0.4 \text{ mH}$	T6 ($T_{amb} < 80^\circ\text{C}$)	4X
	(Explosion Proof) Class/Division Class I, Division 1 GP B,C,D	---	T6 ($T_{amb} < 80^\circ\text{C}$)	4X
	Class I Division 2 GP A,B,C,D Class II Division 1, 2 GP E,F,G Class III	---	T6 ($T_{amb} < 80^\circ\text{C}$)	4X

Installation

A 249 Series sensor may be shipped with the Type DLC3010 digital level controller installed or they may be shipped separately.

When shipping a skid mounted system, where the displacer cannot be restrained, it is recommended that the transmitter be uncoupled and the lever assembly locked to prevent damage. The transmitter must be re-coupled at commissioning, and a zero-trim will be required.

Dimensions for the Type DLC3010 and 249 Series sensor product construction are shown in figure 10 and tables 6 and 7. Dimensions of other combinations are available upon request.

Ordering Information

When ordering, specify:

- Process temperature and pressure and ambient air temperature
- **Application**
 - Liquid level service (specific gravity)
 - Interface level service (specific gravity of both liquids and minimum differential gap or span required)
 - Density service (minimum and maximum specific gravity required)

Construction

Refer to the specifications tables. Review the descriptions below each specification and in the referenced tables and figures; specify the desired choice whenever there is a selection to be made.

Heat Insulator

Type DLC3010 Digital Level Controller

If the Type DLC3010 digital level controller and the 249 Series sensor are ordered as an assembly, and a heat insulator is required for the application, order the heat insulator as a 249 Series sensor option. If the Type DLC3010 digital level controller is ordered separately, the heat insulator is available as a kit. Order part number 28B5741X012 for the heat insulator kit.

Note

Neither Emerson, Emerson Process Management, nor any of their affiliated entities assumes responsibility for the selection, use, and maintenance of any product. Responsibility for the selection, use, and maintenance of any product remains with the purchaser and end-user.

DLC3000 Digital Level Controllers

Table 9. Hazardous Area Classifications for United States—FM

CERTIFICATION BODY	CERTIFICATION OBTAINED	ENTITY RATING	TEMPERATURE CODE	ENCLOSURE RATING
FM	(Intrinsic Safety) Class/Division Class I,II,III Division 1 GP A,B,C,D,E,F,G per drawing 28B5745	$V_{max} = 30 \text{ Vdc}$ $I_{max} = 226 \text{ mA}$ $P_i = 1.4 \text{ W}$ $C_i = 5.5 \text{ nF}$ $L_i = 0.4 \text{ mH}$	T5 ($T_{amb} < 80^\circ\text{C}$)	4X
	(Explosion Proof) Class/Division Class I, Division 1 GP A,B,C,D	---	T5 ($T_{amb} < 80^\circ\text{C}$)	4X
	Class I Division 2 GP A,B,C,D Class II Division 1 GP E,F,G Class II Division 2 GP F,G	---	T5 ($T_{amb} < 80^\circ\text{C}$)	4X

Table 10. Hazardous Area Classifications—ATEX

CERTIFICATE	CERTIFICATION OBTAINED	ENTITY RATING	TEMPERATURE CODE	ENCLOSURE RATING
ATEX	Ⓢ II 1 G D Gas EEx ia IIC T6—Intrinsic Safety Dust T85C ($T_{amb} < 80^\circ\text{C}$)	$U_i = 30 \text{ Vdc}$ $I_i = 226 \text{ mA}$ $P_i = 1.4 \text{ W}$ $C_i = 5.5 \text{ nF}$ $L_i = 0.4 \text{ mH}$	T6 ($T_{amb} < 80^\circ\text{C}$)	IP66
	Ⓢ II 2 G D Gas EEx d IIC T6—Flameproof Dust T85C ($T_{amb} < 80^\circ\text{C}$)	---	T6 ($T_{amb} < 80^\circ\text{C}$)	IP66
	Ⓢ II 3 G D Gas EEx nCL IIC T6—Type n Dust T85C ($T_{amb} < 80^\circ\text{C}$)	---	T6 ($T_{amb} < 80^\circ\text{C}$)	IP66

Table 11. Hazardous Area Classifications—IECEX

CERTIFICATE	CERTIFICATION OBTAINED	ENTITY RATING	TEMPERATURE CODE	ENCLOSURE RATING
IECEX	Ex ia IIC T5—Intrinsic Safety	$U_i = 30 \text{ Vdc}$ $I_i = 226 \text{ mA}$ $P_i = 1.4 \text{ W}$ $C_i = 5.5 \text{ nF}$ $L_i = 0.4 \text{ mH}$	T5 ($T_{amb} < 80^\circ\text{C}$)	IP66
	Ex nA IIC T5—Type n	---	T5 ($T_{amb} < 80^\circ\text{C}$)	IP66

Table 12. Hazardous Area Classifications for Australia—SAA

CERTIFICATE	CERTIFICATION OBTAINED	ENTITY RATING	TEMPERATURE CODE	ENCLOSURE RATING
SAA	Gas Ex d IIC T6—Flameproof	---	T6 ($T_{amb} < 80^\circ\text{C}$)	IP66

FIELDVUE and Fisher are marks owned by Fisher Controls International LLC, a member of the Emerson Process Management business division of Emerson Electric Co. AMS and DeltaV are marks owned by one of the companies in the Emerson Process Management business division of Emerson Electric Co. Emerson Process Management, Emerson, and the Emerson logo are trademarks and service marks of Emerson Electric Co. HART is a mark owned by the HART Communication Foundation. All other marks are the property of their respective owners.

The contents of this publication are presented for informational purposes only, and while every effort has been made to ensure their accuracy, they are not to be construed as warranties or guarantees, express or implied, regarding the products or services described herein or their use or applicability. We reserve the right to modify or improve the designs or specifications of such products at any time without notice.

Neither Emerson, Emerson Process Management, nor any of their affiliated entities assumes responsibility for the selection, use and maintenance of any product. Responsibility for the selection, use and maintenance of any product remains with the purchaser and end-user.

Emerson Process Management

Marshalltown, Iowa 50158 USA
Cernay 68700 France
Sao Paulo 05424 Brazil
Singapore 128461

www.Fisher.com

