

# Fisher® FIELDVUE™ DVC6200 Digital Valve Controller

The FIELDVUE DVC6200 digital valve controller (figure 1) is a HART® communicating instrument that converts a two-wire 4–20 mA control signal into a pneumatic output to an actuator. It can easily be retrofitted in place of existing analog positioners on most Fisher and non-Fisher pneumatic actuators.

## Features

### Reliability

- **Linkage-Less Non-Contact Position Feedback**

The high performance, linkage-less feedback system eliminates physical contact between the valve stem and the DVC6200. There are no wearing parts so cycle life is maximized.

- **Built to Survive**—The field proven DVC6200 instrument has fully encapsulated electronics that resist the effects of vibration, temperature, and corrosive atmospheres. A weather-tight wiring terminal box isolates field wiring connections from other areas of the instrument.

### Performance

- **Accurate and Responsive**— The two-stage positioner design provides quick responsiveness to large step changes and precise control for small setpoint changes.

- **Travel Control/Pressure Fallback**— Valve position feedback is critical to the operation of a digital valve controller. The DVC6200 can detect position feedback problems and automatically revert to I/P transducer mode to keep the valve operational.

### Ease of Use

- **Enhanced Safety**— The DVC6200 is a HART communicating device, so information can be accessed anywhere along the loop. This flexibility can reduce exposure to hazardous environments and make it easier to evaluate valves in hard to reach locations.

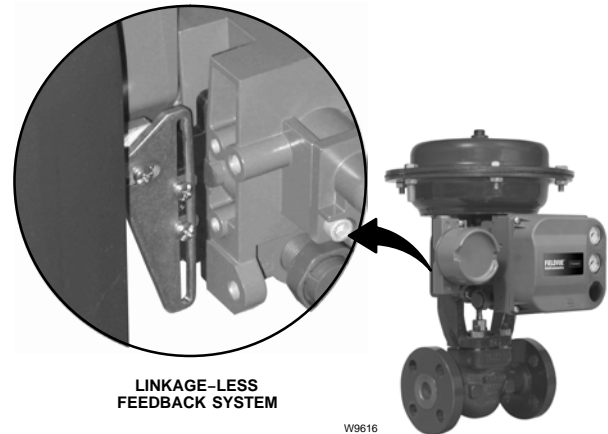


Figure 1. FIELDVUE DVC6200 Digital Valve Controller

- **Faster Commissioning**— HART communications allows you to quickly commission loops with a variety of tools, either locally at the valve assembly or remotely.

- **Easy Maintenance**— The DVC6200 digital valve controller is modular in design. Critical working components can be replaced without removing field wiring or pneumatic tubing.

### Value

- **Hardware Savings**— When installed in an integrated control system, significant hardware and installation cost savings can be achieved. Valve accessories such as limit switches and position transmitters can be eliminated because this information is available via the HART communication protocol.

- **Increased Uptime**— The self-diagnostic capability of the DVC6200 digital valve controller provides valve performance and health evaluation without shutting down the process or pulling the valve assembly from the line.

- **Improved Maintenance Decisions**— Digital communication provides easy access to the condition of the valve. Sound process and asset management decisions can be made by analysis of valve information through Fisher ValveLink™ software.



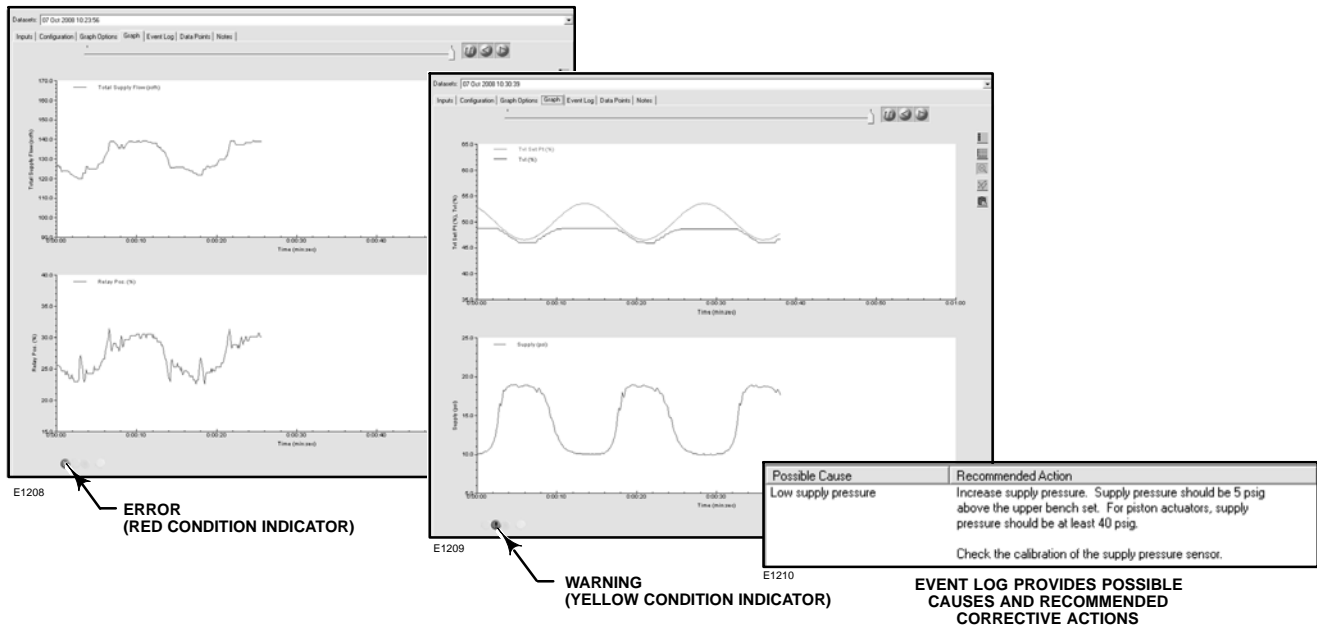


Figure 2. Condition Indicators

## Valve Diagnostics

The DVC6200 digital valve controller provides a broad and deep portfolio of valve diagnostic capabilities. Whether the 475 Field Communicator is used to check for valve alerts and operational status, or ValveLink software is used for comprehensive diagnostic test and analysis, the tools are easy to use. When installed as part of a HART communicating system, the DVC6200 delivers prompt notification of current or potential equipment issues.

Performance Diagnostics enables condition and performance monitoring of the entire valve assembly (not just the digital valve controller) while the valve is actively controlling the process. When conducting Performance Diagnostics tests, the valve does NOT move beyond the normal setpoint changes driven by the process controller. The DVC6200 uses statistical algorithms to determine condition and performance related issues based on live readings from the many on-board sensors. Results are then displayed graphically, with severity indicated by a red/yellow/green indicator (figure 2). A detailed description of the identified issue as well as suggestions for recommended actions are provided.

Examples of identifiable issues are:

- Low air supply or pressure droop
- Incorrect regulator setting
- Dirty air supply
- External air leak (actuator diaphragm or tubing)
- Calibration shift
- Valve stuck
- Piston actuator O-ring failure
- Excessive valve assembly friction
- Excessive valve assembly deadband
- Elastomer failure in the DVC6200
- Broken actuator spring

Performance Diagnostics also provides access to full-stroke dynamic testing of the valve assembly including; valve signature, dynamic error band, step response, and stroke check. These tests change the instrument setpoint at a controlled rate and are performed while the valve assembly is isolated from the process.

For additional information on FIELDVUE diagnostics and ValveLink software refer to Fisher bulletin 62.1:ValveLink (D102227X012).

## Specifications

### Available Mounting

- Integral mounting to the Fisher GX Control Valve and Actuator System (see figure 1)
- Integral mounting to Fisher rotary actuators
- Sliding-stem linear applications
- Quarter-turn rotary applications

DVC6200 digital valve controllers can also be mounted on other actuators that comply with IEC 60534-6-1, IEC 60534-6-2, VDI/VDE 3845 and NAMUR mounting standards.

### Input Signal

#### Point-to-Point

*Analog Input Signal:* 4–20 mA DC, nominal; split ranging available

Minimum Voltage Available at Instrument Terminals must be 10.5 VDC for analog control, 11 VDC for HART communication

*Minimum Control Current:* 4.0 mA

*Minimum Current w/o Microprocessor*

*Restart:* 3.5 mA

*Maximum Voltage:* 30 VDC

Overcurrent protected

Reverse Polarity protected

#### Multi-drop

*Instrument Power:* 11 to 30 VDC at 8 mA

Reverse Polarity protected

### Output Signal

Pneumatic signal, up to 95% of supply pressure

**Minimum Span:** 0.4 bar (6 psig)

**Maximum Span:** 9.5 bar (140 psig)

**Action:** ■ Double, ■ Single Direct or ■ Reverse

### Supply Pressure<sup>(1)</sup>

**Minimum Recommended:** 0.3 bar (5 psig) higher than maximum actuator requirements

**Maximum:** 10.0 bar (145 psig) or maximum pressure rating of the actuator, whichever is lower

### Supply Medium

Air or Natural Gas

*Air:* Supply pressure must be clean, dry air that meets the requirements of ISA Standard 7.0.01. A maximum 40 micrometer particle size in the air system is acceptable. Further filtration down to 5 micrometer particle size is recommended.

*Natural Gas:* Natural gas must be clean, dry, oil-free, and noncorrosive. H<sub>2</sub>S content should not exceed 20 ppm.

### Steady-State Air Consumption<sup>(2)(3)</sup>

*At 1.4 bar (20 psig) supply pressure:* Less than 0.38 normal m<sup>3</sup>/hr (14 scfh)

*At 5.5 bar (80 psig) supply pressure:* Less than 1.3 normal m<sup>3</sup>/hr (49 scfh)

### Maximum Output Capacity<sup>(2)(3)</sup>

*At 1.4 bar (20 psig) supply pressure:* 10.0 normal m<sup>3</sup>/hr (375 scfh)

*At 5.5 bar (80 psig) supply pressure:* 29.5 normal m<sup>3</sup>/hr (1100 scfh)

### Operating Ambient Temperature Limits<sup>(1)(4)</sup>

–40 to 85°C (–40 to 185°F)

–52 to 85°C (–62 to 185°F) for instruments utilizing the Extreme Temperature option (fluorosilicone elastomers)

### Independent Linearity

*Typical Value:* ±0.50% of output span

### Electromagnetic Compatibility

Meets EN 61326-1 (First Edition)

Immunity—Industrial locations per Table 2 of the EN 61326-1 standard.

Emissions—Class A

ISM equipment rating: Group 1, Class A

### Vibration Testing Method

Tested per ANSI/ISA-S75.13.01 Section 5.3.5.

### Input Impedance

An equivalent impedance of 550 ohms may be used. This value corresponds to 11V @ 20 mA.

### Humidity Testing Method

Tested per IEC 61514–2

–continued–

## Specifications (continued)

### Electrical Classification

#### Hazardous Area Approvals

**CSA**— Intrinsically Safe, Explosion-proof, Division 2, Dust Ignition-proof

**FM**— Intrinsically Safe, Explosion-proof, Non-Incendive, Dust Ignition-proof

**ATEX**— Intrinsically Safe and Dust, Flameproof and Dust, Type n and Dust

**IECEX**— Intrinsically Safe, Flameproof, Type n

#### Electrical Housing

**CSA**— Type 4X, IP66

**FM**— NEMA 4X

**ATEX**— IP66

**IECEX**— IP66

**The Gas Certified DVC6200 is FM, ATEX, IECEX, and CSA Single Seal approved for use with natural gas as the supply medium**

### Connections

**Supply Pressure:** 1/4 NPT internal and integral pad for mounting 67CFR regulator

**Output Pressure:** 1/4 NPT internal

**Tubing:** 3/8-inch recommended

**Vent:** 3/8 NPT internal

**Electrical:** 1/2 NPT internal, M20 adapter optional

### Actuator Compatibility

#### Stem Travel (Sliding-Stem Linear)

*Minimum:* 11 mm (0.45 inch)<sup>(5)</sup>

*Maximum:* 606 mm (23-7/8 inches)

#### Shaft Rotation (Quarter-Turn Rotary)

*Minimum:* 45°

*Maximum:* 90°

### Weight

3.5 kg (7.7 lbs)

### Construction Materials

**Housing, module base and terminal box:**

ASTM B85 A03600 low copper aluminum alloy

**Cover:** Thermoplastic polyester

**Elastomers:** Nitrile (standard)

### Options

- Supply and output pressure gauges or ■ Tire valves, ■ Integral mounted filter regulator,
- Low-Bleed Relay, ■ Extreme Temperature
- Natural Gas Certified

### Additional Information

For additional information go to [www.FIELDVUE.com](http://www.FIELDVUE.com) or contact your Emerson Process Management sales office.

NOTE: Specialized instrument terms are defined in ANSI/ISA Standard 51.1 – Process Instrument Terminology.

1. The pressure/temperature limits in this document and any other applicable code or standard should not be exceeded.

2. Normal m<sup>3</sup>/hour – Normal cubic meters per hour at 0°C and 1.01325 bar, absolute. Scfh – Standard cubic feet per hour at 60°F and 14.7 psia.

3. Values at 1.4 bar (20 psig) based on a single-acting direct relay; values at 5.5 bar (80 psig) based on double-acting relay.

4. Temperature limits vary based on hazardous area approval.

5. For travel less than 11 mm (0.45 inch) contact your Emerson Process Management sales office.

Fisher, FIELDVUE, and ValveLink are marks owned by one of the companies in the Emerson Process Management business division of Emerson Electric Co. Emerson Process Management, Emerson, and the Emerson logo are trademarks and service marks of Emerson Electric Co. HART is a mark owned by the HART Communication Foundation. All other marks are the property of their respective owners.

The contents of this publication are presented for informational purposes only, and while every effort has been made to ensure their accuracy, they are not to be construed as warranties or guarantees, express or implied, regarding the products or services described herein or their use or applicability. All sales are governed by our terms and conditions, which are available upon request. We reserve the right to modify or improve the designs or specifications of such products at any time without notice. Neither Emerson, Emerson Process Management, nor any of their affiliated entities assumes responsibility for the selection, use or maintenance of any product. Responsibility for proper selection, use, and maintenance of any product remains solely with the purchaser and end user.

### Emerson Process Management

Marshalltown, Iowa 50158 USA

Sorocaba, 18087 Brazil

Chatham, Kent ME4 4QZ UK

Dubai, United Arab Emirates

Singapore 128461 Singapore

[www.Fisher.com](http://www.Fisher.com)

